

Octal Input Monitor



Introduction

The E-Plex® 827OIM is an active low digital input module. It provides eight channels of digital I/O in a single unit to detect inputs from equipment that switches to local ground (0V).

The module has LEDs which will provide local verification of the status of the inputs.

Key Features:

- Eight active low digital inputs.
- Local LED status indication.
- Standard E-Plex Small Enclosure.
- Standard EP3 connection.

Electrical Specifications

Operating Voltage	10-32V DC
Operating Current (module only)	50-70 ma (All Inputs Active)
Low Input Threshold	0.5-1.0V DC
Hi Input Threshold	2.0-32V DC

Terminal Connector Specifications

Connector Type	2 x 8 Way Cage Connector
Wire Gauge	0.2mm ² (24AWG) Min to 1.5mm ² (16AWG) Max
Wire Strip Length	5 – 7 mm (.19" - .27")
Communications Connectors Specifications	EP3

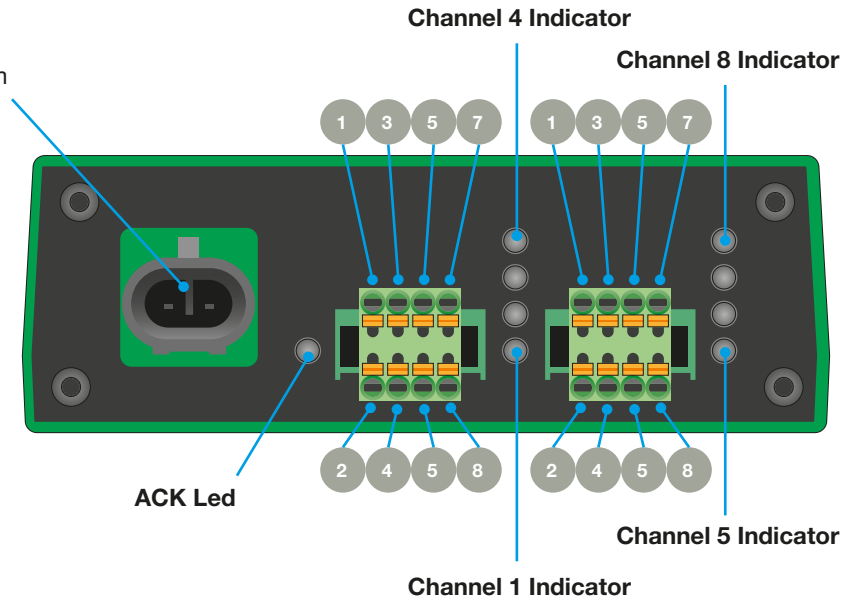
Physical Specifications

Front Bezel Material	Aluminum
Back Case Material	ABS
Operating Temperature	-20°C- 50°C (-4°F - 122°F)
Storage Temperature	-30°C- 85°C (-22°F - 185°F)
Weight	150g (5.25oz)
Overall Length	118mm (4.64")
Overall Height	41mm (1.61")
Overall Depth (including Connectors)	95mm (3.74")
Mounting Hole Size	M4

Featured Connections

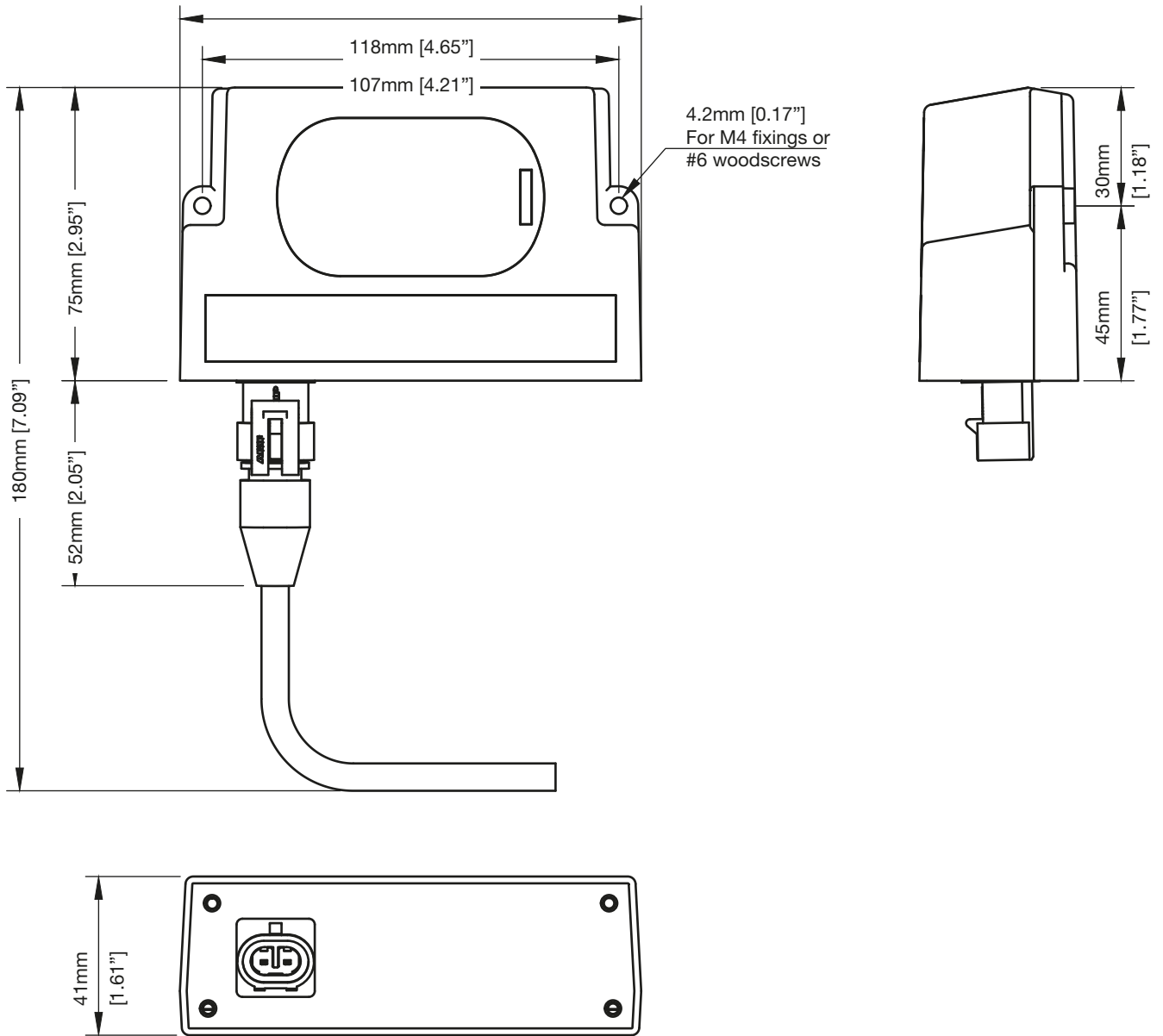
EP3 Connector

Allows for connection of the E-Plex logic system



Connection	Specifications	In / Out	Remarks
1	Digital Input 1	I/O	0 -32V DC 0- 5mA
2	0V Input 1	I/O	<1.0V DC
3	Digital Input 2	I/O	0 -32V DC 0- 5mA
4	0V Input 2	I/O	<1.0V DC
5	Digital Input 3	I/O	0 -32V DC 0- 5mA
6	0V Input 3	I/O	<1.0V DC
7	Digital Input 4	I/O	0 -32V DC 0- 5mA
8	0V Input 4	I/O	<1.0V DC
9	Digital Input 5	I/O	0 -32V DC 0- 5mA
10	0V Input 5	I/O	<1.0V DC
11	Digital Input 6	I/O	0 -32V DC 0- 5mA
12	0V Input 6	I/O	<1.0V DC
13	Digital Input 7	I/O	0 -32V DC 0- 5mA
14	0V Input 7	I/O	<1.0V DC
15	Digital Input 8	I/O	0 -32V DC 0- 5mA
16	0V Input 8	I/O	<1.0V DC

Dimensional Diagram



827OIM Retrofit and personalities³

The 827OIM device can be supplied as a retro fit module and will have the relevant firmware Personality for the older module it is replacing.

These modules are the 174OIM, 421QIM each of these when ordered (see part number below) will require the relevant adapter cable this will allow it to be connected to the original wiring, due to the size of the 827OIM module vs the older modules a diagram showing module and cable space requirements is shown below.

The Personality in the 827OIM module makes the system believe that the original module type is connected and the programming and responses will be the same.

For information on specification changes and connections an additional information sheet is available and provided with the supplied module.

NOTES:

³ It is not recommended to use an personality devices for new installs and only as necessary for retrofits we would always recommend using the native 827OIM for future compatibility and upgradability.

Ordering codes

Description	Ordering Code
827OIM Octal Input Module	EP3-827OIM (Includes connectors)
827OIM Replacement Connector	CO-CONN-827OIM-PLUG
0.2 Metre EP3 Cable	EP3-CA-0.2M

When used as emulated device type

Description	Ordering Code
827OIM with 174OIM Personality	EP3-827-174OIM
827OIM with 421QIM Personality	EP3-827-421QIM



827OIM Version 1.0 | MAY 2019

52 – 54 Riverside, Sir Thomas Longley Road, Medway City Estate, Rochester,
Kent ME2 4DP

tel: +44 (0)1634 711622

email: sales@e-plex.co.uk
web: www.e-plex.co.uk